



Precise color

It features 7" 16:10 LCD panel with 1920x1200 full HD resolution (324ppi), 1000:1 high contrast, 170° wide viewing angles, 500cd/m² high brightness, which offers outstanding viewing experience.



Metal housing

Thinner(22mm) with a firm metal body, makes a better protection from vibration, drop & bad environment outside. Longer life time for the device.



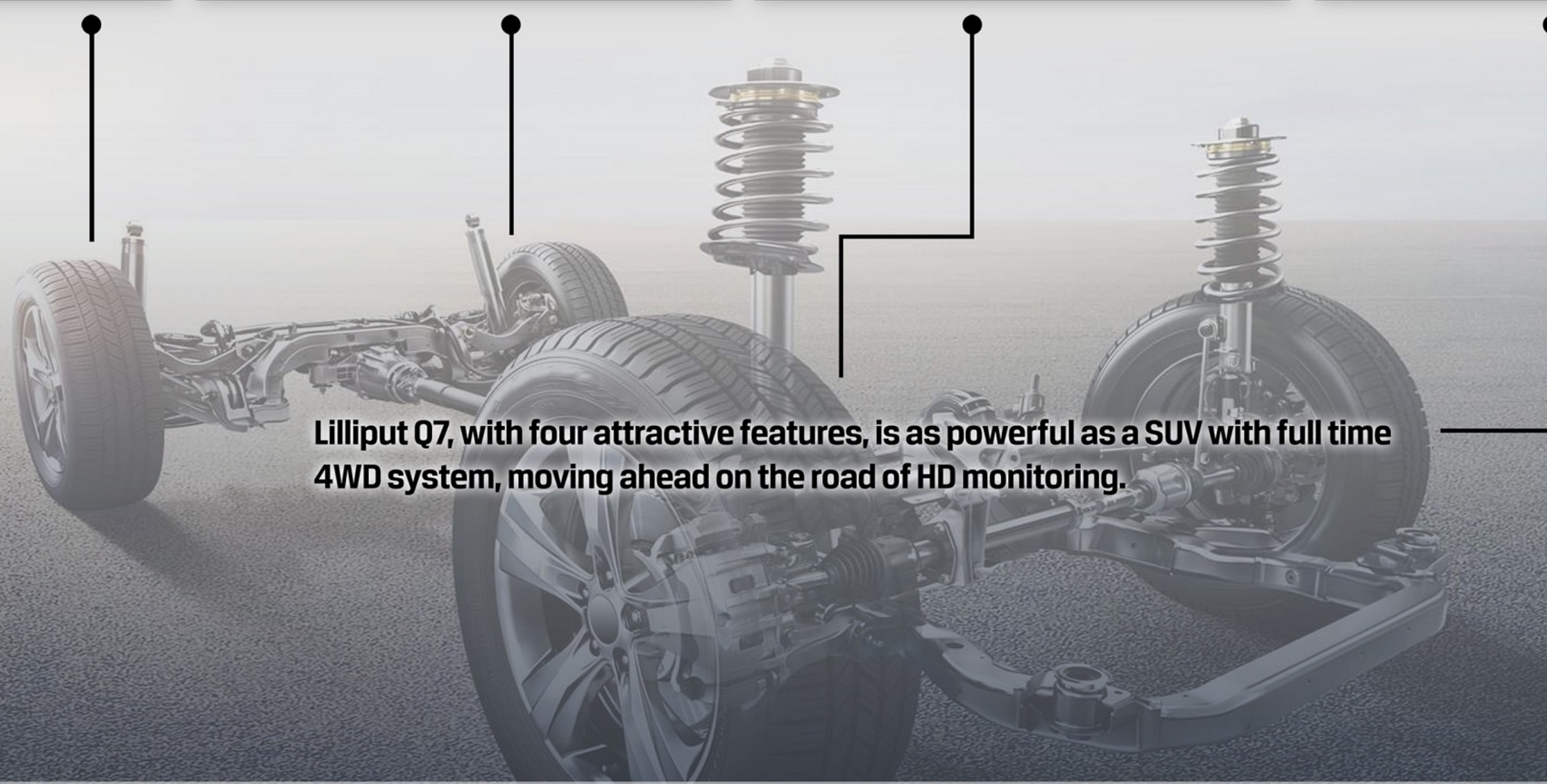
SDI and HDMI cross conversion

The HDMI output connector can actively transmit an HDMI input signal or output an HDMI signal that has been converted from an SDI signal. In short, signal transmits from SDI input to HDMI output and from HDMI input to SDI output.

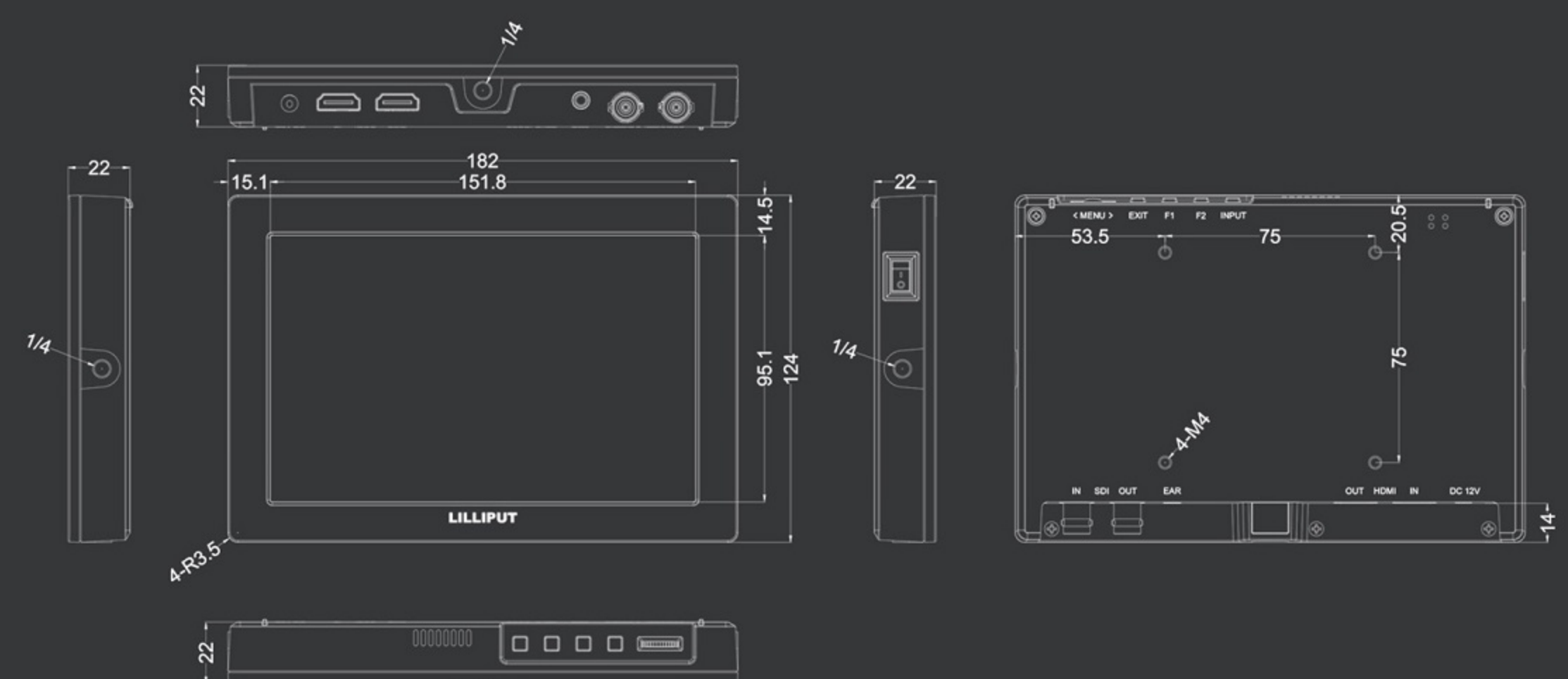
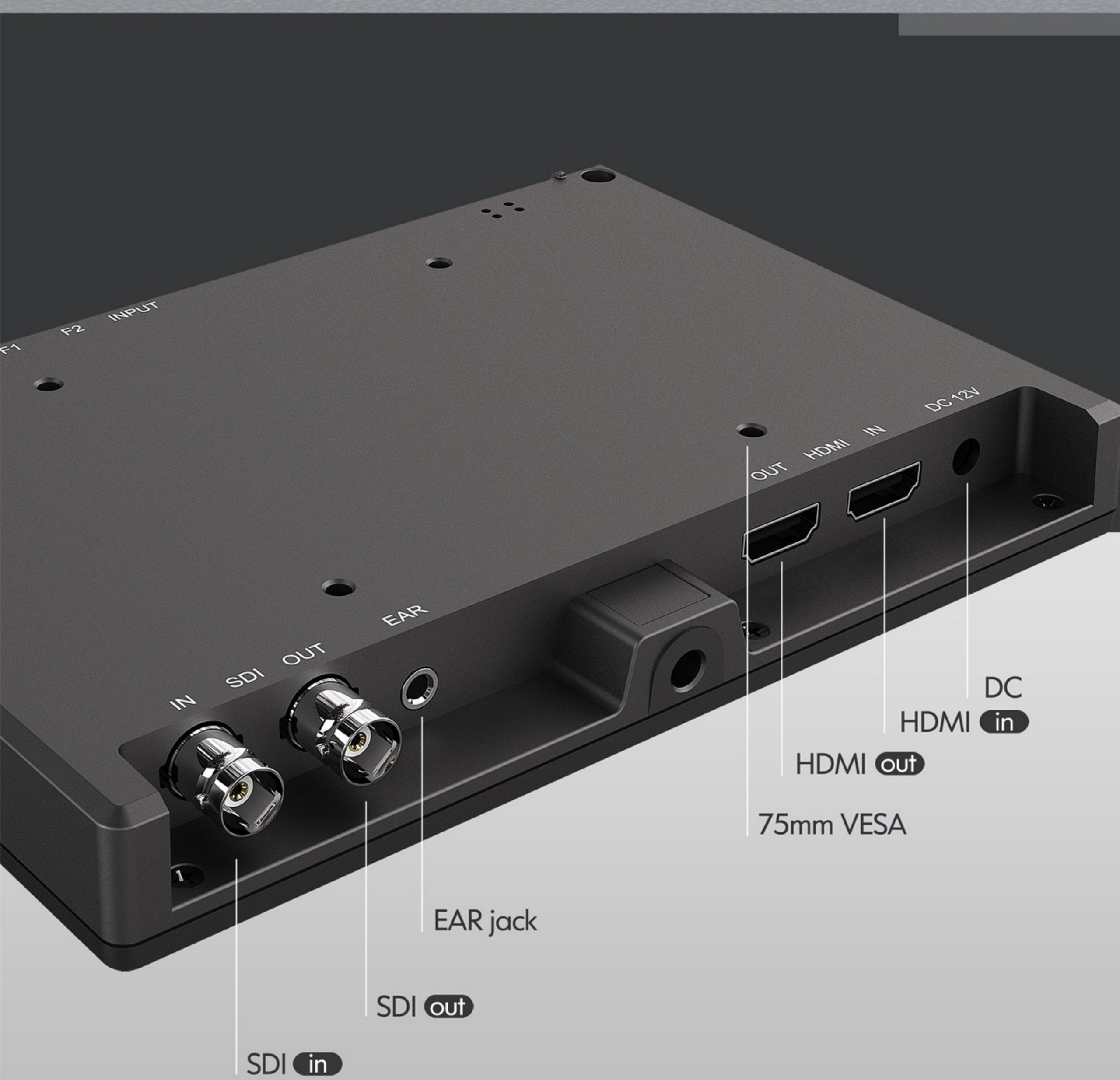


Integrated recording info. display

Lilliput creatively integrated column (YRGB peak), time code, waveform, vector scope & audio level meter into field monitor. These assist users to accurately monitor when shooting, making and playing movies/videos.



Lilliput Q7, with four attractive features, is as powerful as a SUV with full time 4WD system, moving ahead on the road of HD monitoring.



BIG CONNECTIVITY SMALL UNIT

With high quality SD, HD & 3G-SDI inputs, make sure that precise color can be controlled under multiple displays conveniently.



SPECIFICATIONS | ACCESSORIES

DISPLAY	Panel	7"	SDI Format	SMPTE-125M	480i(59.94)	STANDARD	1. Folding sun shade cover	1 piece
	Physical Resolution	1920x1200 (324ppi)		SMPTE-274M	1080i(60/59.94/50)		2. 12V DC adapter	1 piece
	Aspect Ratio	16:10		SMPTE-292M	1080p(30/29.97/25/24/24sF/23.98/23.98sF)		3. HDMI A/C cable	1 piece
	Brightness	500cd/m ²		SMPTE-296M	720p(60/59.94/50/30/29.97/25/24/23.98)		4. Shoe mount	1 piece
	Contrast	1000:1		SMPTE-372M	1080p(60/59.94/50/30/29.97/25/24/23.98)		5. VESA battery plate	1 piece
	Viewing Angle	170° / 170°(H/V)		SMPTE-425M-AB	1080p(60/59.94/50)		6. Battery plate (F-970, QM91D, DU21 or LP-E6)	2 pieces
INPUT	3G-SDI	1	HDMI Format	-Level A & Level B	720p(60/59.94/50/30/29.97/25/24/23.98)	OPTIONAL	1. V-mount	1 piece
	HDMI	1		-Level B 2x	1080i(60/59.94/50)		2. Anton Bauer mount	1 piece
OUTPUT	3G-SDI	1	ITU-R BT.656	576i(50)	3. Battery	1 piece		
	HDMI	1						
AUDIO	Speaker	1						
	Ear Phone Slot	1						
	Current	1A						
POWER	Input Voltage	DC 7-24V						
	Battery Plate	V-mount / Anton Bauer mount / F-970 / QM91D / DU21 / LP-E6						
	Power Consumption	12W						
ENVIRONMENT	Operating Temperature	-20℃~60℃						
	Storage Temperature	-30℃~70℃						
DIMENSION	Dimension(LWD)	182x124x22mm						
	Weight	405g						

Note: Due to constant effort to improve products and product features, specifications may change without notice.

