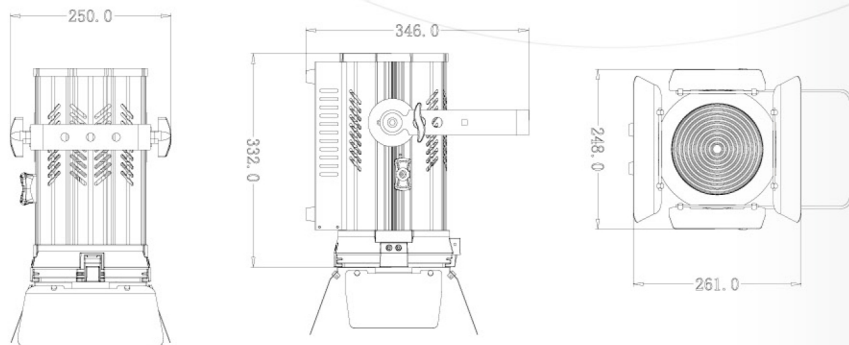


WPL-F100B

100W Fan-less Led Fresnel Light



Structure diagram



Product parameters:

Light Source:

LED POWER:	100W
Light Color:	Single WW / CW , 2IN1 ,4IN1
Led Lamp:	Imported LED
Color Rendering Index(CRI):	Ra ≥ 95
LED Life Time:	over 50,000 hours

Power supply:

Voltage:	AC100V-240V 50-60Hz
Max.power:	100W

Optics:

Manual Zooming Scale:	15-50°
With zoom by manual	

Dimmer Effect:

Dimming Curve:	4 kinds
Dimming Frequency:	500HZ - 25000HZ optional

Feature:

Light body:	Die casting aluminum
Body color:	Black
Touch screen:	LCD with touch screen

Control:

Control Protocol:	RDM / DMX
Control System:	DMX512, mater and slave, auto running
DMX Channels:	1/2CH (Single color), 2CH(2in1) , 4/7CH(4in1)

Working Environment :

Cooling system:	Fan-less no noise
Working Temperature:	-10°C ~40°C
IP Grade:	IP20

Package :

Net Weight :	5.39kgs
Gross Weight:	6.5kgs
Packing Size:	46*31*31.5 cm(1pc/carton)

Warranty Time:

Warranty Time:	2 Years warranty
----------------	------------------