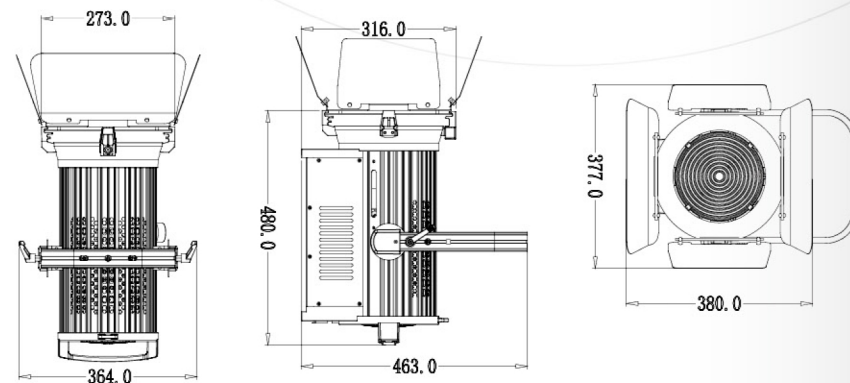


WPL-F200B

200W Fan-less Led Fresnel Light



Structure diagram



Product parameters:

Light Source:

LED POWER:	200W
Light Color:	Single WW / CW , 2IN1 ,4IN1
Led Lamp:	Imported LED
Color Rendering Index(CRI):	Ra ≥ 95
LED Life Time:	over 50,000 hours

Power supply:

Voltage:	AC100V-240V
Max.power:	200W

Optics:

Manual Zooming Scale:	15-50°
With zoom by manual/ Auto zoom	

Dimmer Effect:

Dimming Curve:	4 kinds
Dimming Frequency:	500HZ - 25000HZ optional

Feature:

Light body:	Die casting aluminum
Touch screen:	LCD with touch screen

Control:

Control Protocol:	RDM / DMX
Control System:	DMX512, mater and slave, auto running
DMX Channels:	1/2CH (Single color), 2CH(2in1) , 4/7CH(4in1)

Working Environment :

Cooling system:	Fan-less no noise
Working Temperature:	-10°C ~40°C
IP Grade:	IP20

Package :

Net Weight :	13.38kgs
Gross Weight:	14.5kgs
Packing Size:	(1pc/carton)

Warranty Time:

Warranty Time:	2 Years warranty
----------------	------------------